

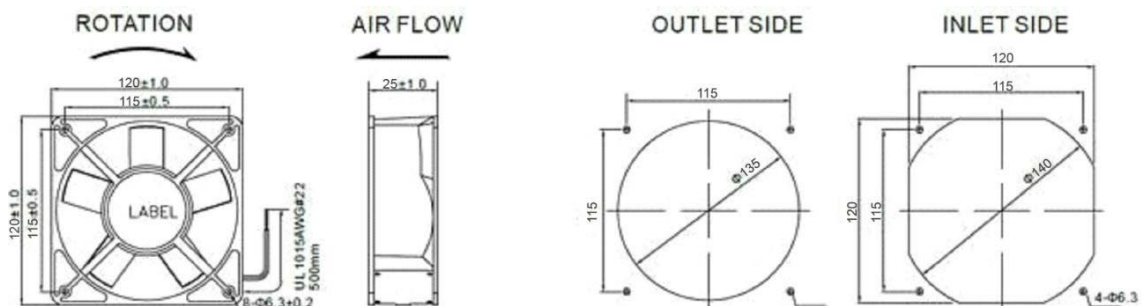
COOLING FAN 220 VAC



AC 180x180x63mm

Specifications:

Brushless cooling fan Two ball bearing AC cooling Fan RA12025B220M



Model	RA 12025B20M
Dimension	120x25mm
Voltage (VAC)	220V/240V
Frequency (Hz)	50Hz/60Hz
Rated Input Current (Amp)	0.23A/0.21A
Rated Input Power Watt	51W/46W
Speed (RPM)	2600Rpm/3000Rpm
Air Flow	345/395
Static Pressure (Inch.H20)	0.71/0.85
Noise(Dba)	58/63
Frame	Plastic (UL94V-0)
Impeller	Plastic (UL94v-0)
Leadwire	UL1007 AWG#26 or Equivalent(+) : RED, (-) : Black
Motor	Impedance Protected and Revers polarity protected
Special Function	PWM/FG/RD/ Temperature control/ IP56