

TS- 42U800*1000P



Mounting angle



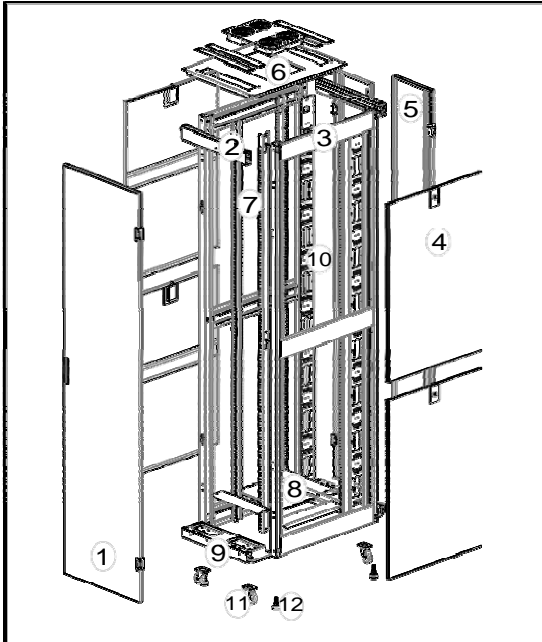
Different cable management

Standards: ANSI/EIA RS-310-D; IEC60297-2; DIN41494, PART1; DIN41494, PART7;
Compatible with 19" International Standards, ETSI.

Features:

- 19" standard installation structure (patent).
- Special designed frame could be connected by 8 pieces of screws. Cabinet is with very high intensity, maximum static loading capacity is up to 1300kgs.
- Both front and rear doors are with two-point locking design, therefore door and frames fit tight. High-density vented front door and double section rear door, with turning angle up to 180 degrees, ventilation rate is up to 70%.
- Latest out looking design: double section side panels; pluggable front door, rear door and external hinges; embedded castors design.
- Sliding and adjustable cable entries at top and bottom, edges of the cable entries are with the design to prevent cut wires.
- Fan units are installed from outside of cabinets, easy to install and maintain.
- Internal cabinets reserve the dedicated channel alignment.
- Installation positions of mounting rails could be adjusted quickly.

Structure of cabinet:



Specifications:

- Material: SPCC cold rolled steel and Galvanized sheet
- Thickness: Mounting rails and castors pallets: 2.0mm; cabinet top crossbeam: 1.5mm; cable management panel: 1.0mm; others: 1.2mm
- Surface finishing: Mounting rails: zinc plated; others: powder coated
- IP degree: IP20
- Static loading capacity: 1300kgs

Front door options:

- 1-1 : mesh door
- 1-2 : toughened glass door

Rear door options:

- 5-1: double section mesh door
- 5-2: solid plate door

Main parts:

S/N	Specification	Qty	Unit	Material	Surface Finishing	Remark
1	Front door	1	pc	SPCC t1.2	Powder coated	---
2	Top crossbeam	2	pc	SPCC t1.5	Powder coated	---
3	Mounting angles	6	pc	SPCC t1.2	Powder coated	4pcs for 24U
4	Side panels	4	pc	SPCC t1.2	Powder coated	---
5	Double section rear door	2	pc	SPCC t1.2	Powder coated	---
6	Top cover	1	pc	SPCC t1.2	Powder coated	---
7	Mounting rails	4	pc	Galvanized	Zinc plated	---
8	Bottom	1	pc	SPCC t1.2	Powder coated	---
9	Castor pallets	2	pc	SPCC t2.0	Powder coated	---
10	Cable management pa-	2	pc	SPCC t1.0	Powder coated	---
11	Castors	4	pc	---	---	---
12	Feet	4	pc	---	---	---